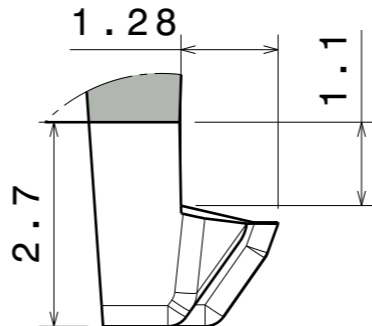
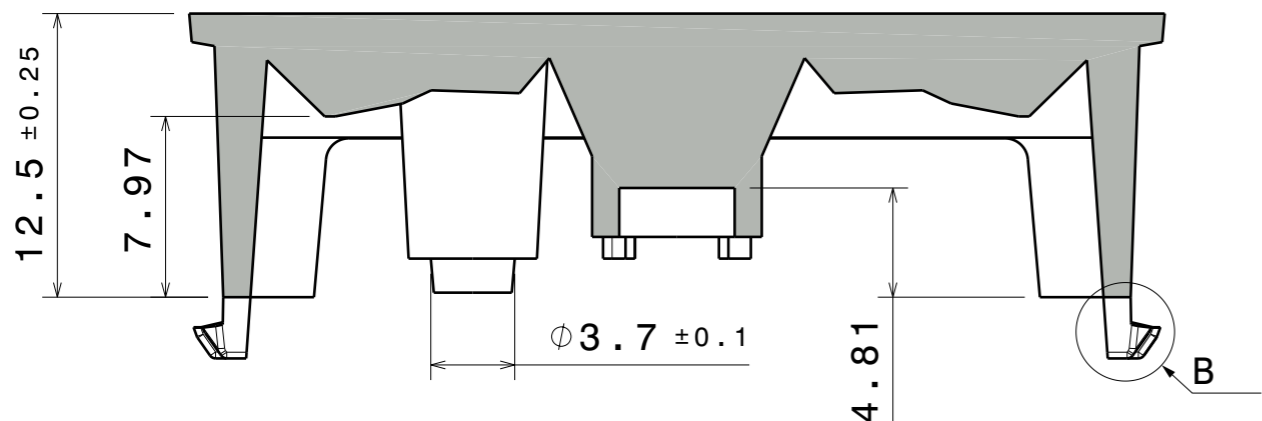
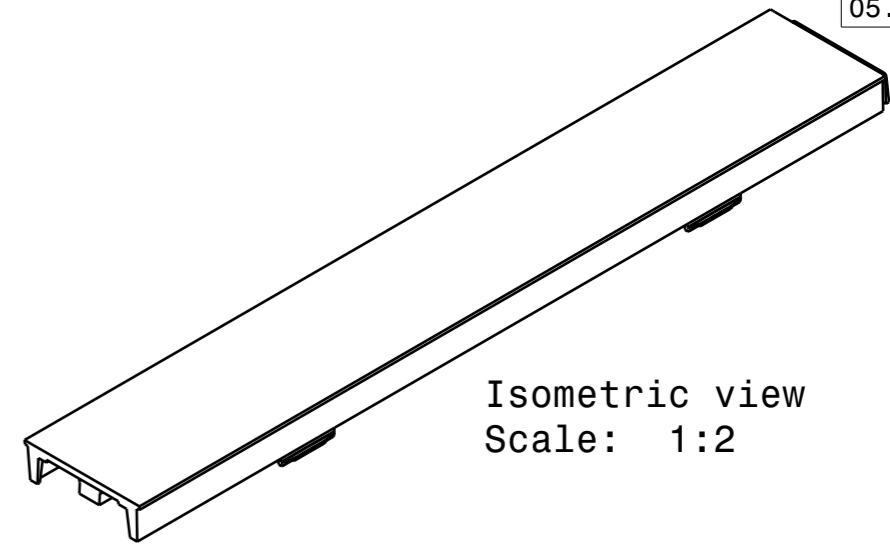


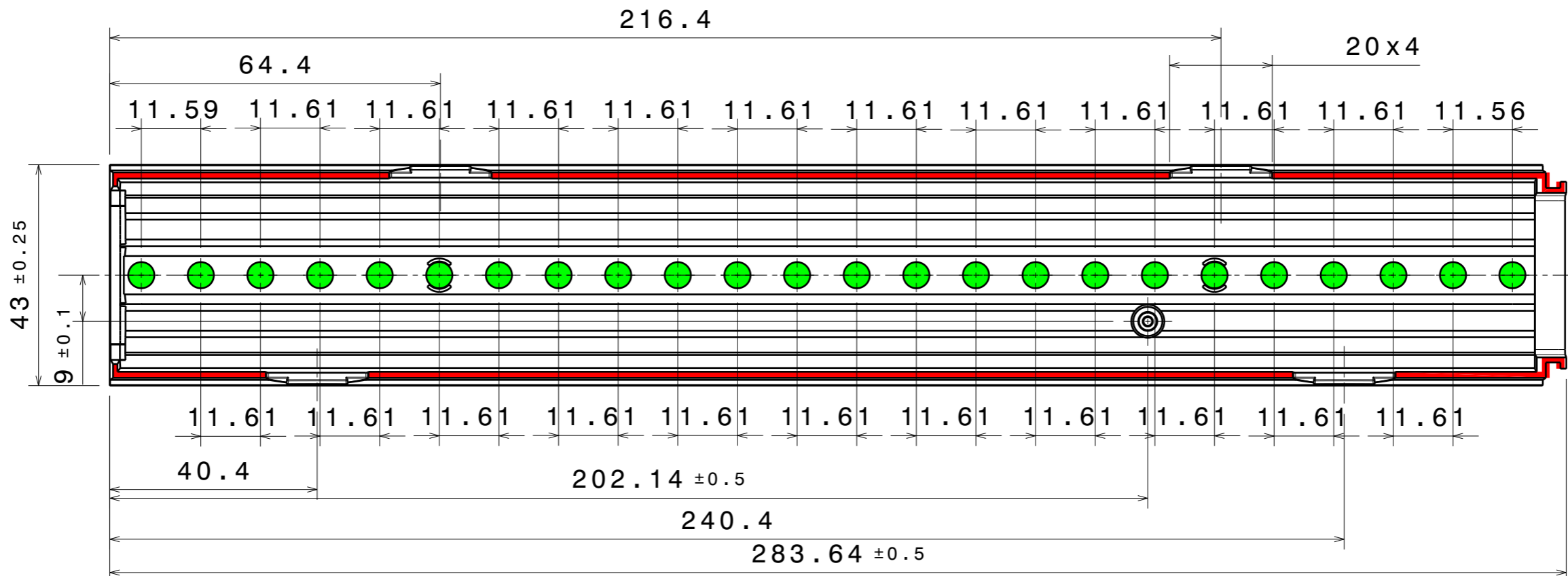
Section view A-A
Scale: 3:1



Detail B
Scale: 10:1



Isometric view
Scale: 1:2



PART	TYPE	MATERIAL	COLOR / COATING
C17165_LINNEA-GC2-90	LENS	PMMA	CLEAR

MECHANICAL DRAWING	
PRODUCT	LINNEA-G2
Plastic moulding general tolerances according to DIN 16901-130 and applies if not otherwise shown in the drawing. Silicone moulding general tolerances according to ISO 3302-1 Class M3 and applies if not otherwise shown in the drawing.	FIRST ANGLE PROJECTION:
SCALE 1:1	WEIGHT 58,877g

LEDiL®

This drawing is the property of LEDiL Oy. It may not be copied or otherwise distributed without prior written permission from LEDiL Oy.

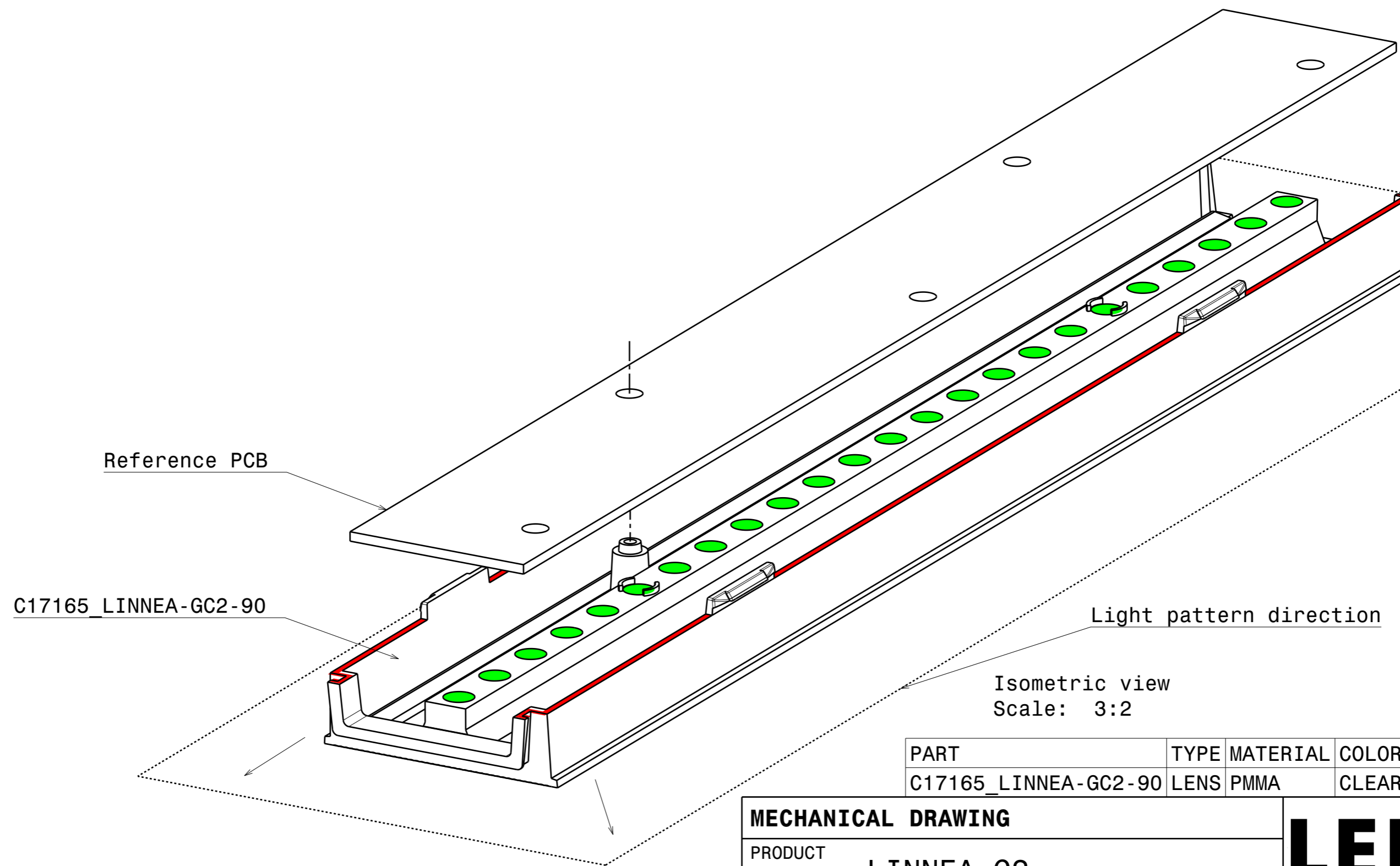
A3 SHEET 1/1

Notes

- PCB or heatsink level.
- LED location

Ensure LED fitting from a product specific 3D model available from www.ledil.com

For more details about installation please see LEDiL Installation Guide on www.ledil.com



PART	TYPE	MATERIAL	COLOR / COATING
C17165_LINNEA-GC2-90	LENS	PMMA	CLEAR

MECHANICAL DRAWING	
PRODUCT	LINNEA-G2
Plastic moulding general tolerances according to DIN 16901-130 and applies if not otherwise shown in the drawing. Silicone moulding general tolerances according to ISO 3302-1 Class M3 and applies if not otherwise shown in the drawing.	FIRST ANGLE PROJECTION:
SCALE 1:1	WEIGHT 58,877g

LEDiL®

This drawing is the property of LEDiL Oy. It may not be copied or otherwise distributed without prior written permission from LEDiL Oy.

A3 SHEET 1/1

Notes

	PCB or heatsink level.
	LED location
	Ensure LED fitting from a product specific 3D model available from www.ledil.com
	For more details about installation please see LEDiL Installation Guide on www.ledil.com